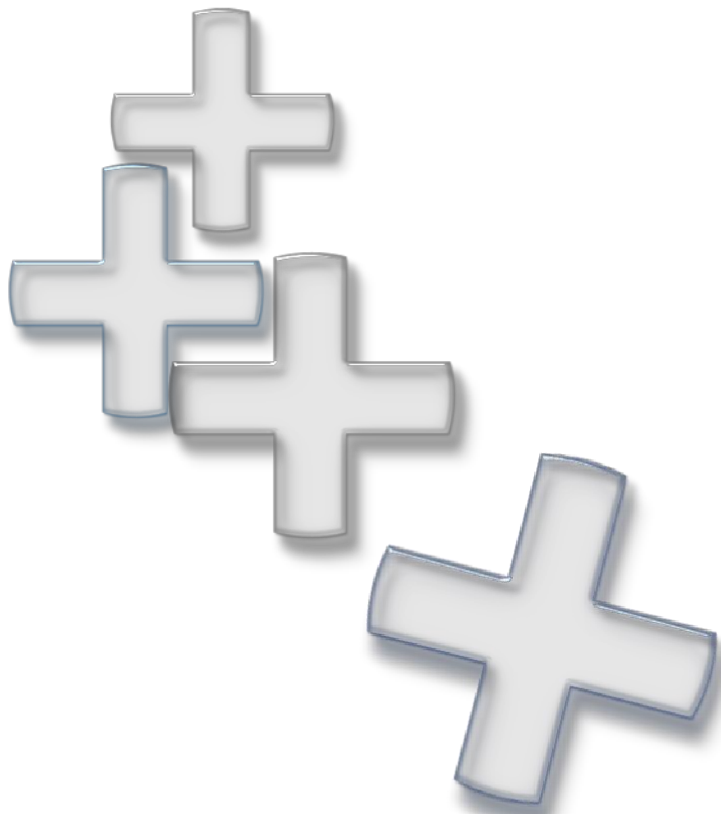


Marotechniek special winches.

Marotechniek offers winches built to your demands or specifications.

Below are a few examples of specials made by Marotechniek.

Please inform us your requirement.



Specials

- MT-HPC 6000 SP
- MT-H 25/60H
- MT-EP 51/87H SP
- MT-PP 1500H SP
- MT-HPV 6000 SP
- MT-H 650 HR
- MT-HPKB 20/30
- MT-HC 1.500 SP
- MT-EPG 8100H
- MT-EK 7500

With the Marotechniek custom made winch your winch is up to specs.

Laubjerg Vinsch AB

Postadress: Bruksgatan 20, SE-323 32 Oskarström

Leveransadress: Bruksgatan 20, SE-313 32 Oskarström

Web:

www.elvinsch.se

www.elsoil.dk

Specials



MT-HPC 6000 SP

- 2 load cells mounted
- With contra frame
- Drum guard
- Lifting eyes



MT-H 25/60H

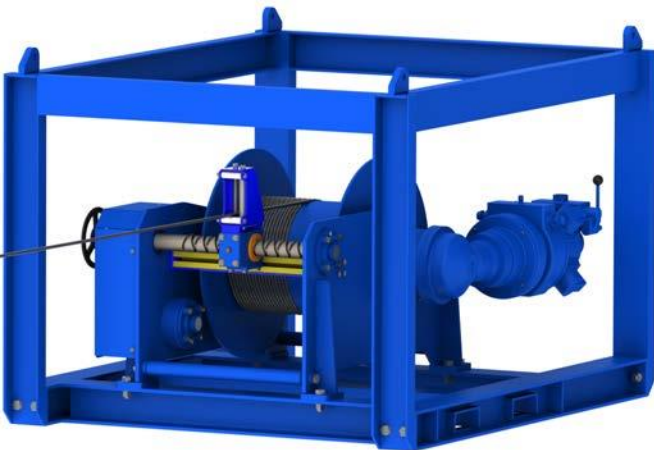
- Double hydraulic controlled band brake
- Lifting force 25t / holding force 60t
- Case hardened drum

Specials



MT-EP 51/87H SP

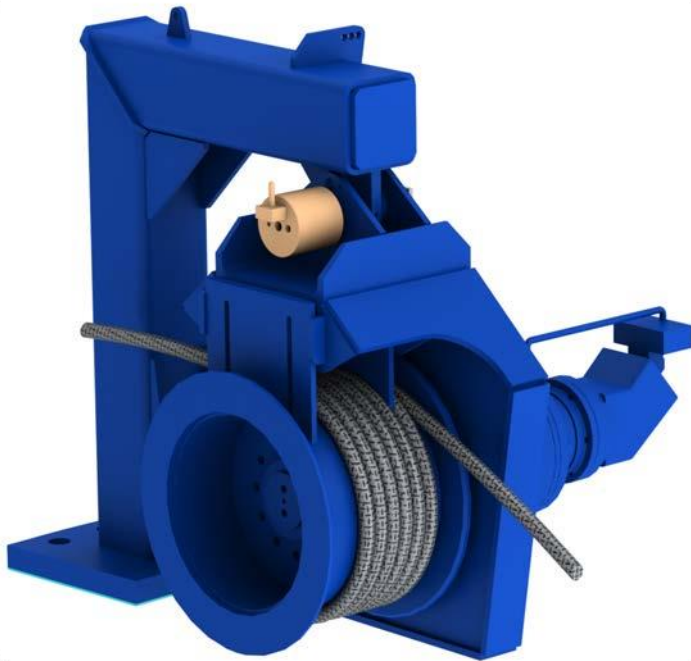
- Lifting force 51t / max. force 87t
- Spooling gear automatic / Acme thread
- Slack wire device
- Fleet distance compensation



MT-PP 1500H SP

- Spooling system automatic / manual override
- DNV approved lifting eyes

Specials



MT-HPV 6000 SP

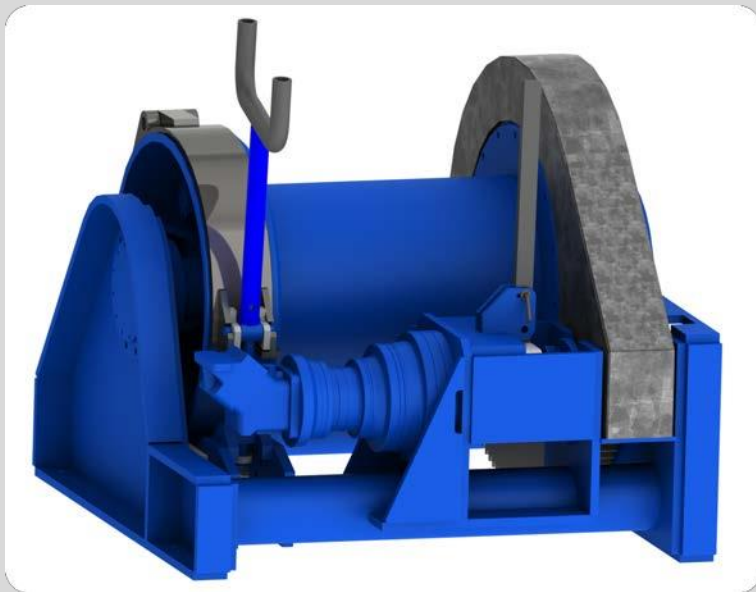
- Suspension portal with lifting eyes
- Double knife for rope control
- Load pin hanging point



MT-H 650 HR

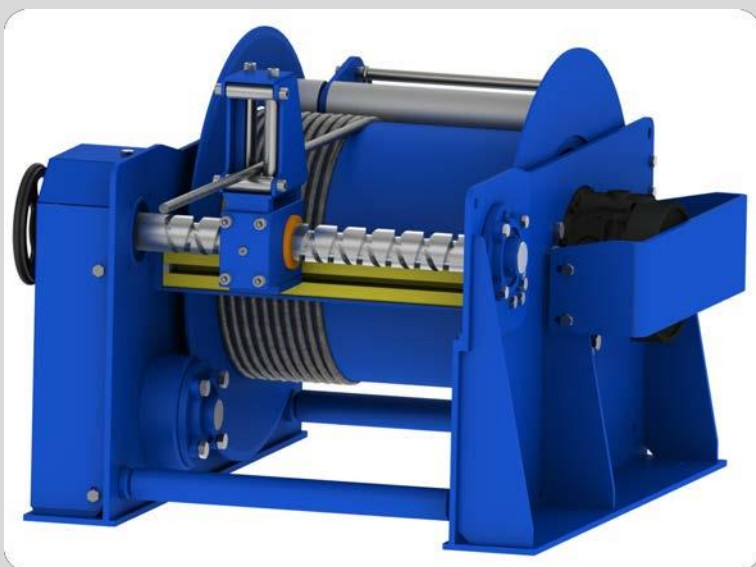
- Calliper brake
- Häglunds drive
- Slip ring unit
- Slip ring connection parts
- Load pin

Specials



MT-HPKB 20/30

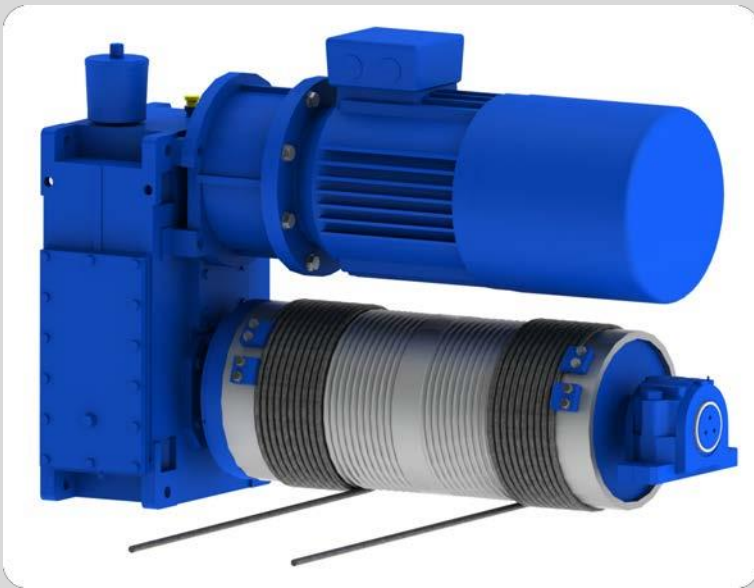
- Pulling force 20t / holding force 30t
- Manual controlled band brake
- Manual controlled clutch
- Parallel drive through pinion
- Compact built



MT-HC 1500 SP

- Automatic spooling gear
- Manual override
- Chain covers

Specials



MT-EPG 8100 H

- Compact built
- Double groove (Left/Right)



MT-EK 7500

- Grooved drum
- Double cable lead (1x top/1x bottom)
- Manual brake release by hand crank