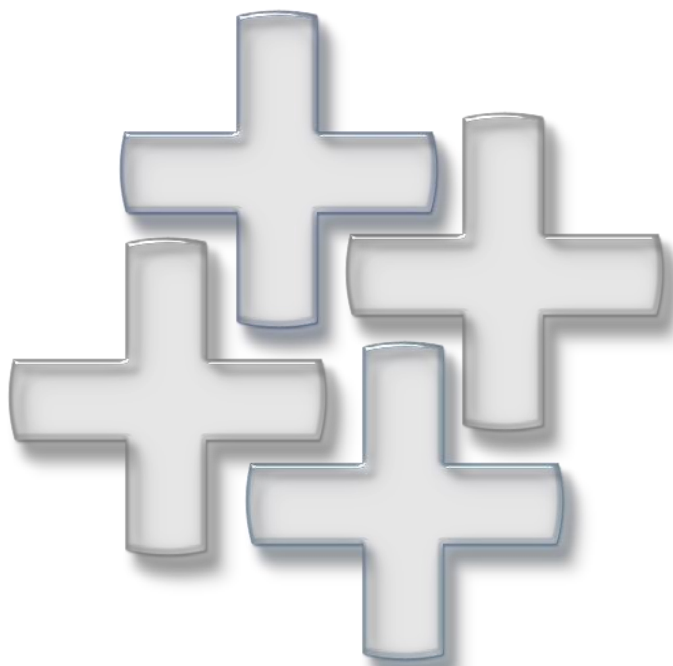


Marotechniek winch options.

Marotechniek offers optional accessories for standard and custom build winches

All options can be engineered to your specifications and wishes.

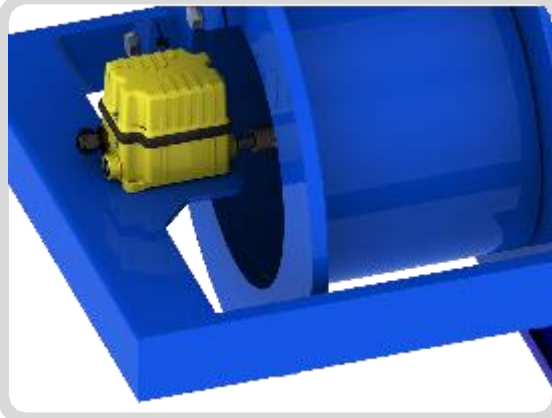


Options

- Spindle limit switch
- Galvanized drum guard ^{CE}
- Pressure roller ^{CE}
- Slack wire switch
- Free spool claw clutch
- Band brake
- Skid frame
- Angled planetary gearbox
- Spooling gear
- Grooved drum
- Wire rope
- Protection IP56 / TENV

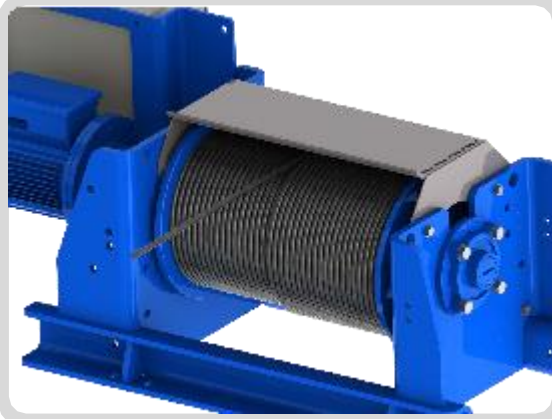
With the Marotechniek winch options you'll add functionality to your winch

Options



Spindle limit switch €

- Multiple contacts (Standard 2-contacts)
- IP65 / IP66 / IP67



Galvanized drum guard €

- Hot dip galvanized perforated steel plate
- Optional for multiple wire outlet directions



Pressure roller

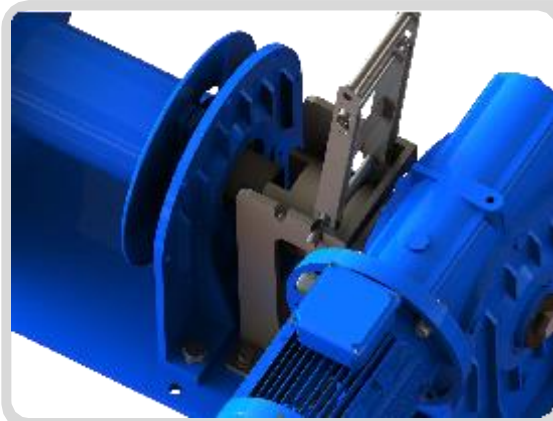
- Stainless steel springs

Options



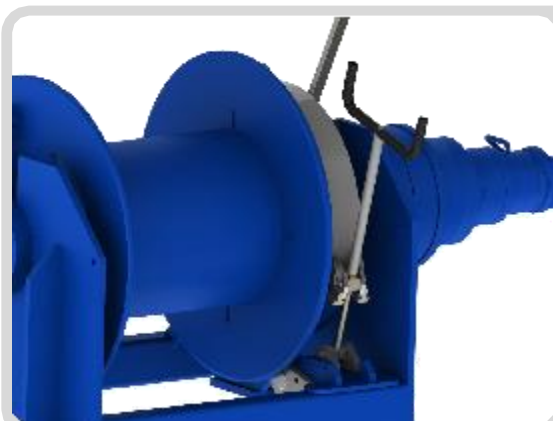
Slack wire switch

- Equipped with proximity switch



Free spool claw clutch

- Manual operated
- Hydraulic operated
- Pneumatic operated



Band brake

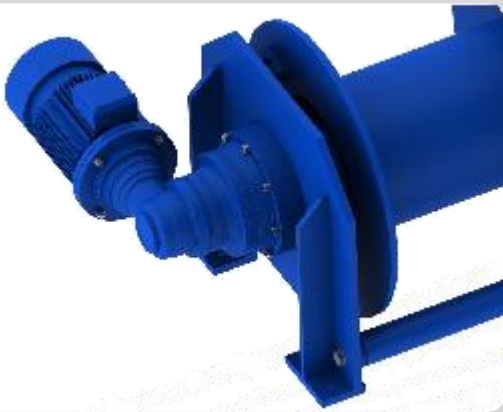
- Manual operated
- Hydraulic operated
- Pneumatic operated

Options



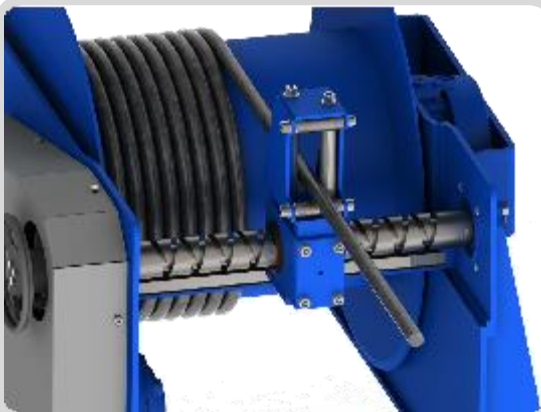
Skid frame

- Fork lift pockets
- Lifting eyes acc. to DNV
- 2K colour paint (RAL)
- Hot dip galvanized



Angled planetary gearbox

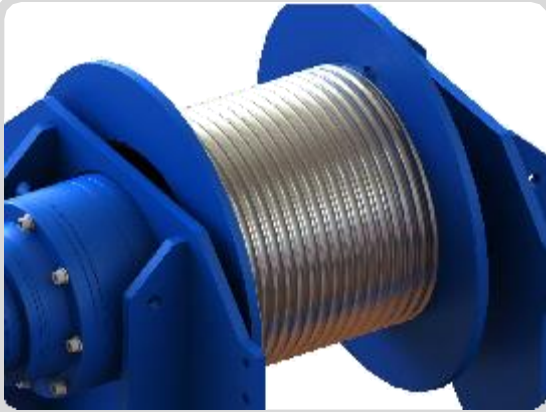
- Horizontal and vertical placement



Spooling gear

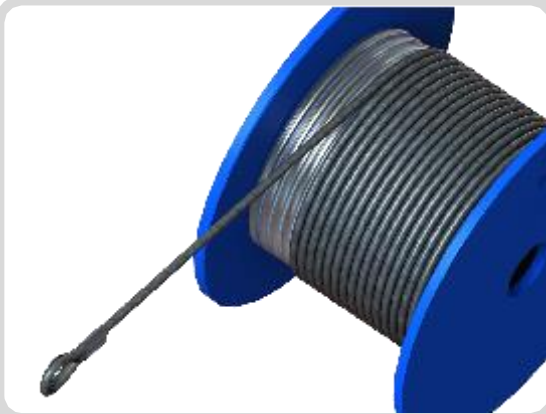
- Automatic / manual override

Options



Grooved drum

- Left / Right groove
- Lebus groove possible



Wire rope

- Loose delivery or spooled on drum
- Spooled under tension
- Eye with thimble
- Hook

IP 56



T.E.N.V.

IP56 / T.E.N.V.

- IP56 protection for electrical motor with or without brake cover