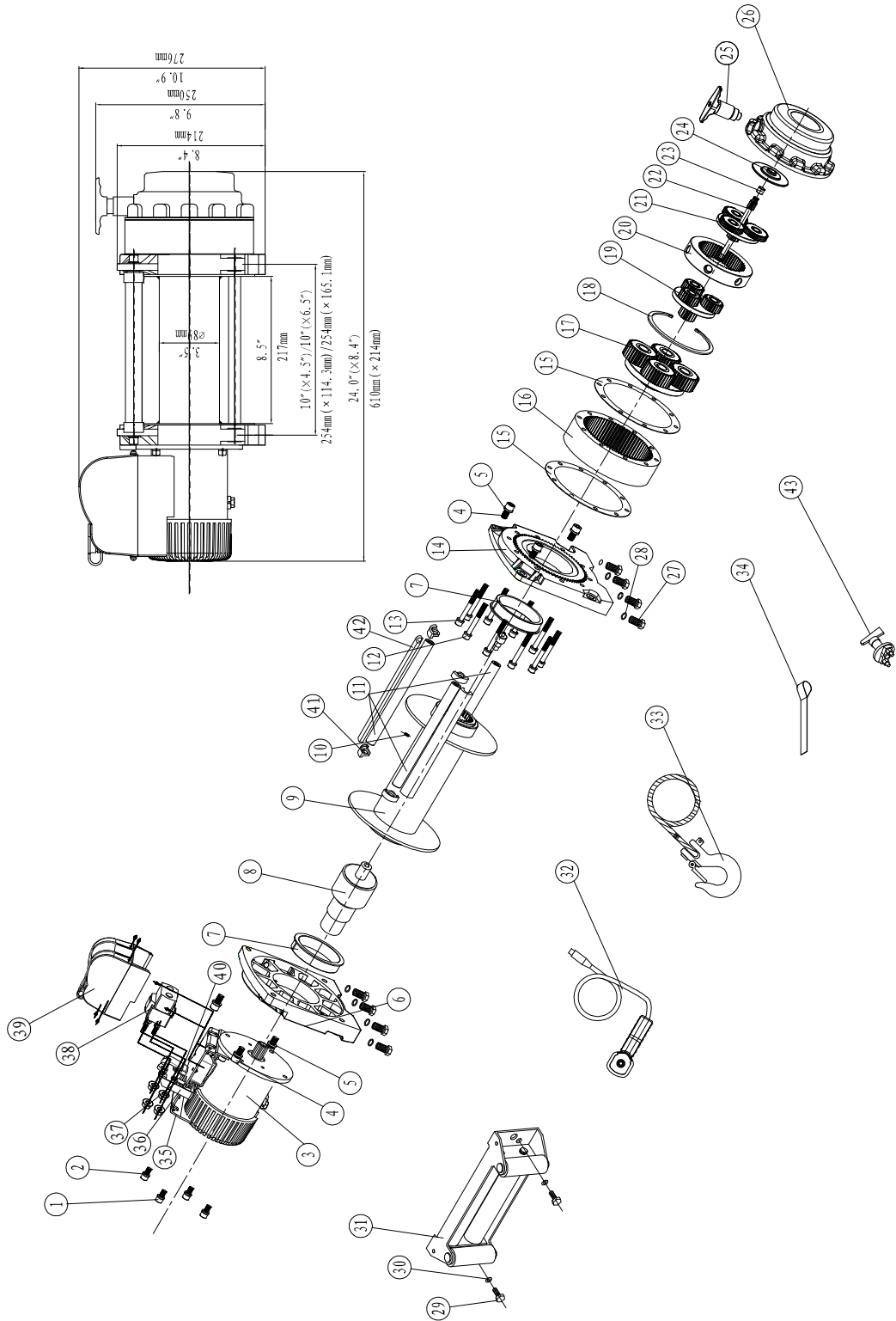




# Samurai 2000 Winch Assembly Drawing



## WINCH PARTS LIST

### S20000

| No. | Part #   | Qty | Description                          | Remark |
|-----|----------|-----|--------------------------------------|--------|
| 1   | S2000001 | 4   | Screw M8 x 25                        |        |
| 2   | S2000002 | 4   | Lock Washer $\Phi 8$                 |        |
| 3   | S2000100 | 1   | Motor Assembly                       |        |
| 4   | S2000003 | 6   | Screw M10 x 30                       |        |
| 5   | S2000004 | 6   | Lock Washer $\Phi 10$                |        |
| 6   | S2000005 | 1   | Motor Bracket                        |        |
| 7   | S2000006 | 2   | Bushing-Drum                         |        |
| 8   | S2000200 | 1   | Break/shift Assembly                 |        |
| 9   | S2000300 | 1   | Drum Assembly                        |        |
| 10  | S2000007 | 1   | Screw M8 $\times$ 10                 |        |
| 11  | S2000008 | 3   | Tie Bar                              |        |
| 12  | S2000009 | 10  | Screw M8 x 70                        |        |
| 13  | S2000010 | 10  | Lock Washer $\Phi 8$                 |        |
| 14  | S2000011 | 1   | End Bearing                          |        |
| 15  | S2000012 | 2   | Gasket                               |        |
| 16  | S2000013 | 1   | Gear—Ring (Output)                   |        |
| 17  | S2000400 | 1   | Gear Carrier Assembly (Output)       |        |
| 18  | S2000014 | 1   | Circlip For Hole                     |        |
| 19  | S2000500 | 1   | Gear Carrier Assembly (Intermediate) |        |
| 20  | S2000015 | 1   | Gear—Ring (Intermediate)             |        |
| 21  | S2000600 | 1   | Gear Carrier Assembly (Input)        |        |
| 22  | S2000016 | 1   | Gear—Input Sun                       |        |
| 23  | S2000017 | 1   | Shaft Sleeve                         |        |
| 24  | S2000018 | 1   | Trust Washer                         |        |
| 25  | S2000700 | 1   | Clutch Assembly                      |        |
| 26  | S2000019 | 1   | Gear—Housing                         |        |
| 27  | S2000020 | 8   | Screw M12 $\times$ 30                |        |
| 28  | S2000021 | 8   | Lock Washer $\Phi 12$                |        |
| 29  | S2000022 | 2   | Screw M10 $\times$ 35                |        |
| 30  | S2000004 | 2   | Lock Washer $\Phi 10$                |        |
| 31  | S2000800 | 1   | Roller Fairlead                      |        |
| 32  | S2000900 | 1   | Remote Control Switch (RC3)          |        |
| 33  | S2001000 | 1   | Cable Assembly                       |        |
| 34  | S2000023 | 1   | Strap                                |        |
| 35  | S2000024 | 1   | Mounting Play                        |        |
| 36  | S2000025 | 1   | Connecting Piece                     |        |
| 37  | S2000026 | 1   | Connecting Piece                     |        |
| 38  | S2001100 | 1   | Relay With Screw Assembly            |        |
| 39  | S2001200 | 1   | Cover With Screw Assembly            |        |
| 40  | S2000027 | 1   | Connecting Piece                     |        |
| 41  | S2000028 | 4   | Connecting Block                     |        |
| 42  | S2000029 | 2   | Connecting Rod Sets                  |        |
| 43  | S2001300 | 1   | Battery Switch                       |        |