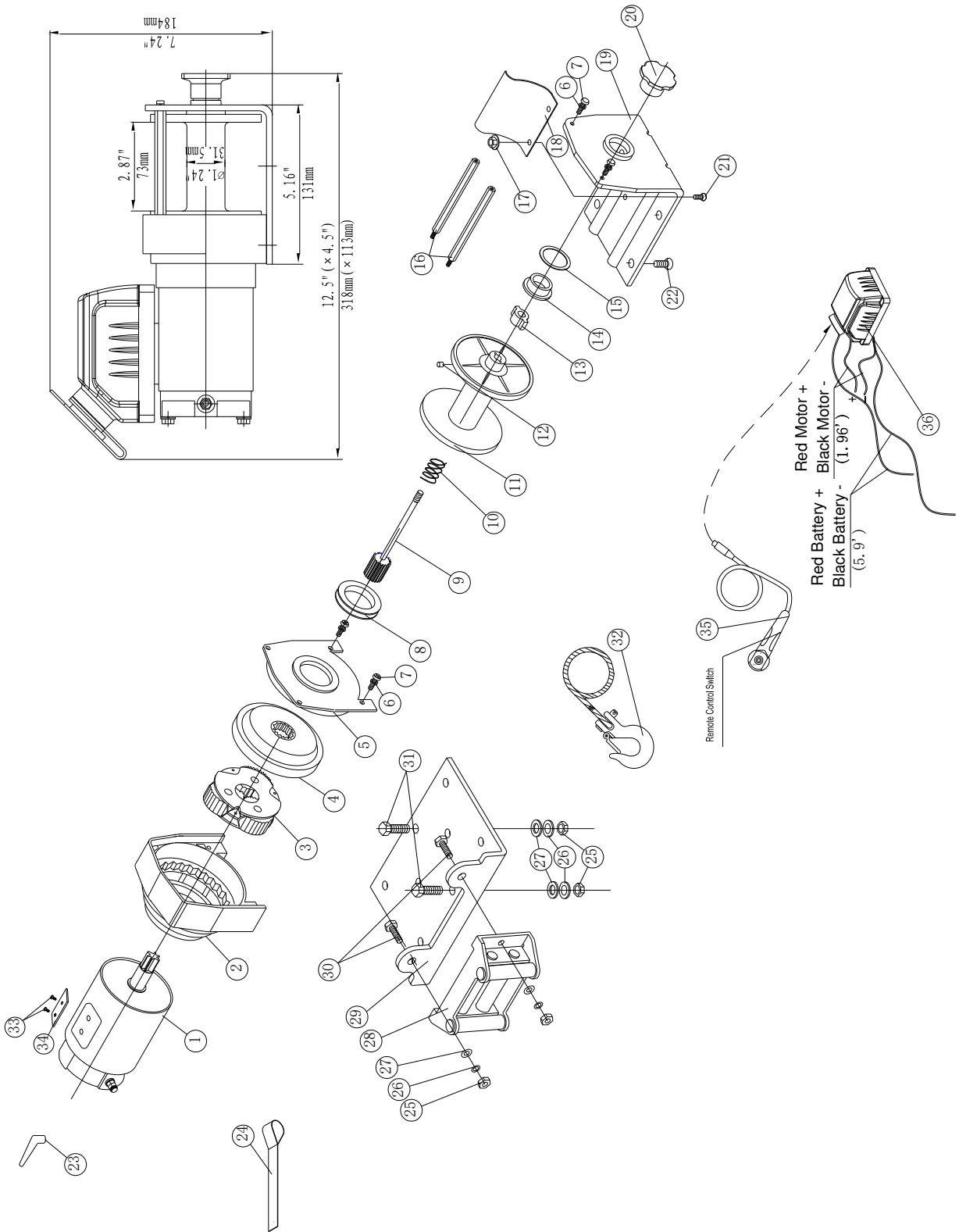




Ninja 2000 Winch Assembly Drawing



WINCH PARTS LIST

No.	Part #	Qty	Description	Remark
1	K200100-U	1	Motor Assembly	
2	K200200	1	Gear-Box Assembly	
3	K200300	1	Planetary Gear Assembly	
4	K200400	1	Output Gear Ring Assembly	
5	K200001	1	Drum Holder Plate	
6	K200002	4	Locking Washer ϕ 5	
7	K200003	4	Hexagon Socket Head Cap Screw M5 x 12	
8	K200004	1	Bush (I)	
9	K200500	1	Clutch Assembly	
10	K200005	1	Spring	
11	K200006	1	Drum	
12	K200007	1	Screw M5 x 8	
13	K200008	1	Separation And Reunion Cake	
14	K200009	1	Bush (II)	
15	K200010	0-2	Adjustive Washer	
16	K200011	2	Tie Bar	
17	K200012	2	Hex Flange Nut M5	
18	K200013	1	Tension Plate	
19	K200014	1	Base Plate	
20	K200015	1	Clutch Handle	
21	K200016	2	Screw M5 x 10	
22	K200017	2	Hex Fh Screw M6 x 16	
23	K200018	2	Terminal Protector	
24	K200025	1	Strap	
25	K200019	4	Hex Flange Nut M8	
26	K200020	4	Locking Washer Φ 8	
27	K200021	4	Thick Flat Washer Φ 8	
28	K200700	1	Roller Fairlead	
29	K200022	1	Mounting Channel	
30	K200023	2	Cap Screw M8 x 20	
31	K200024	2	Cap Screw M8 x 35	
32	K200800	1	Cable Assembly	SYNTHETIC ROPE 4MM X 15M BY CHOICE
33	K200026	2	Screw M5 x 6	
34	K200027	1	Control Box Fixing Panel	
35	K200600-U	1	Remote Control Switch (RC3)	
36	K201200-U	1	U Type Control Box	