

## Introduction

### ► Feature

- Lifting capacity: 300 kg wire rope top layer
- Lifting height: 58 m
- Lifting speed: 16 – 25 m/min
- Motor output: 2.3kw x 11A at 220-240V
- Brake: Electromagnetic and mechanical ratchets
- Control: Pendant switch powers the winch

### ► Unpacking

- |  |     |
|--|-----|
| • Winch assembly   | 1pc |
| • Wire rope 6 mm x 60 m  | 1pc |
| • Weight hook CHW-0031   | 1pc |
| • Pendant switch <b>PB-317</b> w/cord 2.0 mm <sup>2</sup> x 6C x 10m | 1pc |

### ► Read this manual carefully

You should carefully read and understand this manual before operating it. Careless winch operation may result in personal injury hazards or property damage.

### ► Information requesting or parts ordering

Please specify the followings information:

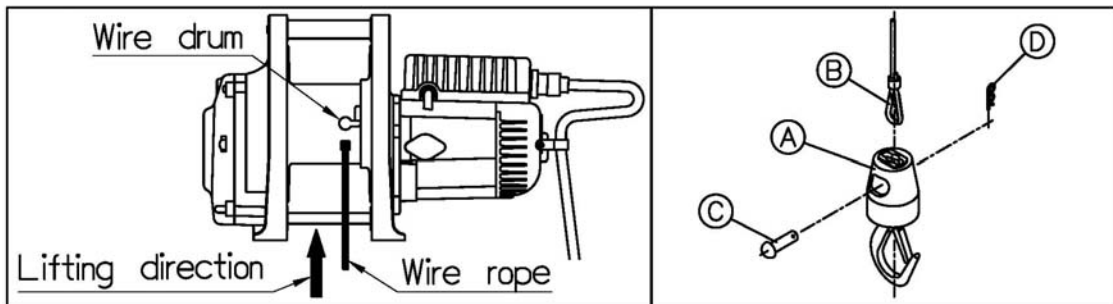
- Winch PN
- Serial number
- Part description
- Replacement part number
- Quantity for each part

# Installation

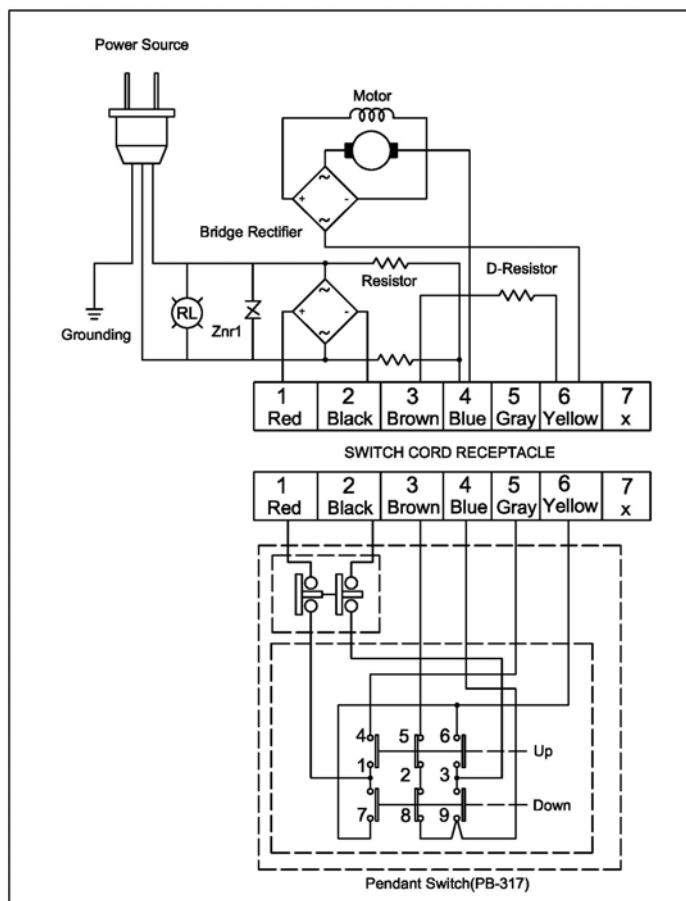
Before using the winch, make sure all electrical components have no corrosion or damaged; the environment should be clear and dry.

## ► Wire rope replacement

- Insert the wire rope into the hole of drum and fix it with a P. T. screw, then press the "UP" button of switch for rotate the drum in the lifting direction.
- Wind the wire rope accurately around the drum, and an irregular winding will cause the load to be swing, thus damaging the wire and reducing the life of winch.
- When replacing, according to the following procedures.
  - \*Pull out a R-dowel "D" from the round head pin "C".
  - \*Pull out a round head pin "C" from hook body "A".
  - \*Put a wire rope "B" into the hole of hook body "A", and insert a round head pin "C" through wire rope and fixture hole of hook body "A".
  - \*Insert a R-dower "D" into the hole of round head pin "C".



## ► Wiring Diagram



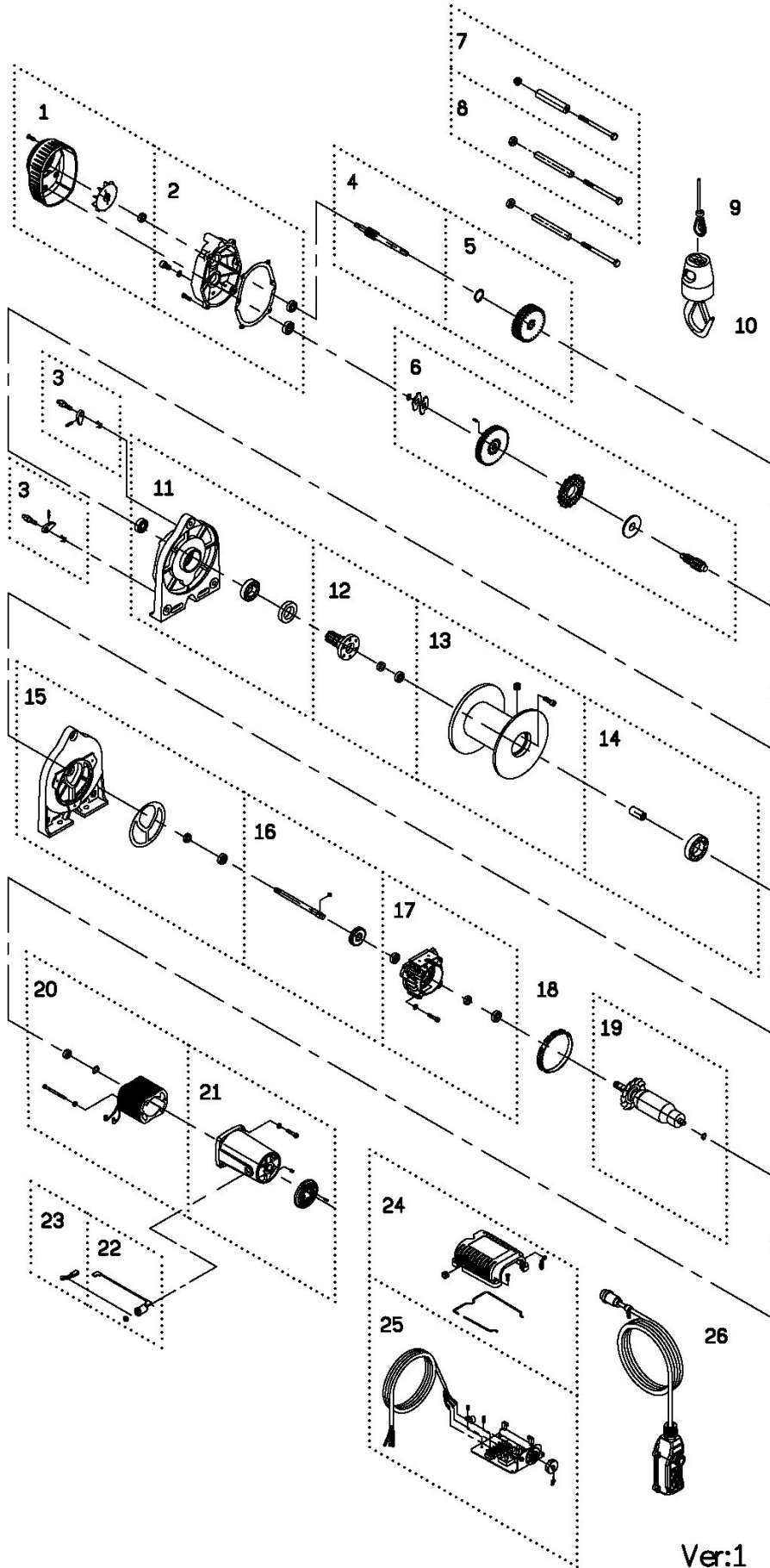
## Warning

- The winch is not intended to be used in any manner for the movement or lifting of personnel.
- The lifting capacity shown is based on the top layer of rope on the drum.
- The rope winding on the drum shall remain 5 wraps from the drum.

## Parts List

Item No.	Description	Part No.	Qty
1	Protection cover kit	880581	1
2	Gearbox rear cover kit	880582	1
	Gearbox rear cover kit for PN:374545	881547	
3	Ratchet stopper kit	880494	2
4	2 <sup>nd</sup> shaft	880583	1
5	3 <sup>rd</sup> gear kit	880584	1
6	Brake kit	881534	1
7	Tie bar kit	880575	1
8	Tie bar kit A	880588	2
9	Wire rope	880629	1
10	Weight hook	880384	1
11	Gearbox support rack kit	880590	1
	Gearbox support rack kit for PN:374545	881548	
12	Output shaft kit	880556	1
13	Drum kit	881520	1
14	Motor coupling kit	881515	1
15	Motor support rack kit	880558	1
	Motor support rack kit for PN:374545	881549	
16	Torque shaft kit	881536	1
17	Motor bracket kit	880595	1
	Motor bracket kit for PN:374545	881550	
18	Cooling ring	880596	1
19	Armature winding, 220/230V	880603	1
	Armature winding, 240V	880604	
20	Armature core, 220/230V	880978	1
	Armature core, 240V	880979	
21	Motor housing kit	880599	1
	Motor housing kit for PN:374545	881551	
22	Carbon brush lead	880600	2
23	Carbon brush	880601	2
24	Terminal upper cover kit	880535	1
25	Control panel	880602	1
26	Remote control, PB-317	881749	1

# Winch Assembly



Ver:1